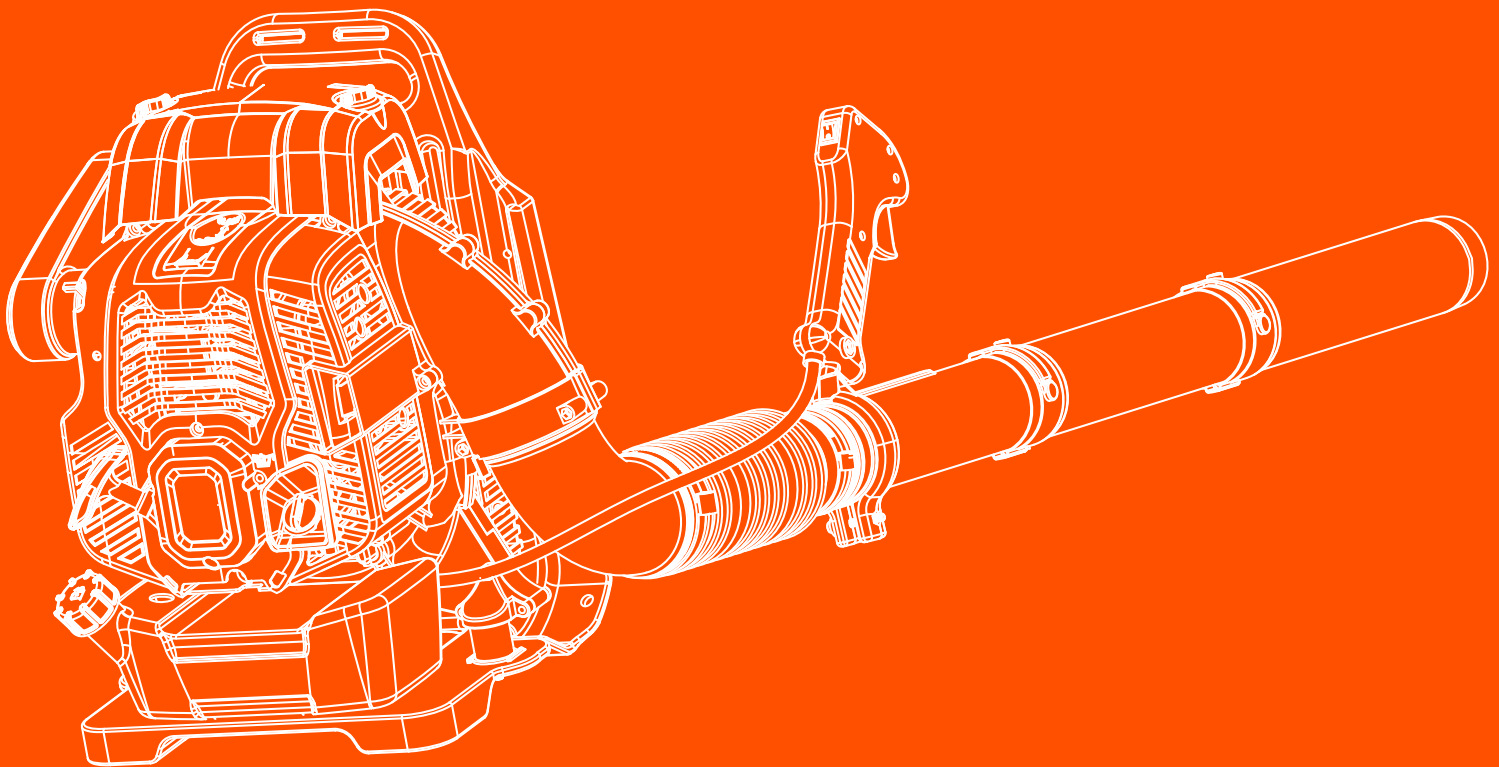




DAEWOO
POWER PRODUCTS

DABL7662
Laubbläser



Betriebsanleitung

www.daewoopowerproducts.com

Manufactured under license of **Daewoo International Corporation**, Korea

INDEX

1. SICHERHEITSHINWEISE	1
2. BESCHREIBUNG	8
3. KRAFTSTOFF HINZUFÜGEN	9
4. MONTAGE	10
5. WARTUNG	12
6. EINSATZ DES LAUBBLÄSERS	14
7. WARTUNG	17
8. TECHNISCHE DATEN	21
9. ANSICHT	22
GARANTIE	27

1. SICHERHEITSHINWEISE

WARNUNG!

Zu Ihrer eigenen Sicherheit lesen Sie bitte dieses Handbuch, bevor Sie Ihr neues Gerät in Betrieb nehmen. Die Nichtbeachtung der Anweisungen kann zu schweren Verletzungen führen. Nehmen Sie sich vor jedem Gebrauch ein paar Minuten Zeit, um sich mit dem Gerät vertraut zu machen. Wenn Sie das Gerät an eine andere Person weitergeben, händigen Sie auch diese Anleitung aus.

Verwenden Sie das Gerät wie in diesem Handbuch beschrieben. Bei unsachgemäßer Handhabung und nicht vorschriftsmäßigem Gebrauch übernimmt der Hersteller keinerlei Haftung. Die Nichtbeachtung der Sicherheitshinweise und der Gebrauch können zu Stromschlägen, Bränden und / oder Verletzungen von Personen führen.

LESEN SIE DIE BEDIENUNGSANLEITUNG SORGFÄLTIG DURCH, BEVOR SIE IHR GERÄT IN BETRIEB NEHMEN.

- Dieses Gerät ist nicht dafür bestimmt, durch Personen (einschließlich Kinder) mit eingeschränkten physischen, sensorischen oder geistigen Fähigkeiten oder mangels Erfahrung und mangels Wissen benutzt zu werden, es sei denn, sie werden durch eine für ihre Sicherheit zuständige Person beaufsichtigt oder erhalten von ihr Anweisungen, wie das Gerät zu benutzen ist.
- Kinder sollten beaufsichtigt werden, um sicherzustellen, dass sie nicht mit dem Gerät spielen.
- Erlauben Sie Kindern, Personen mit eingeschränkten körperlichen, sensorischen oder geistigen Fähigkeiten oder mangelnder Erfahrung und Kenntnissen oder Personen, die mit dieser Anleitung nicht vertraut sind, niemals, das Gerät zu benutzen; örtliche Vorschriften können das Alter des Bedieners beschränken.
- Verwenden Sie die Maschine niemals, wenn sich Personen, insbesondere Kinder, oder Haustiere in der Nähe befinden.
- Denken Sie daran, dass der Bediener oder Benutzer für Unfälle oder Gefahren, die Personen oder deren Eigentum betreffen, verantwortlich ist.
- Demontieren Sie das Gerät nicht selbst. Die Demontage, Reparatur oder Überprüfung darf nur von qualifiziertem Personal durchgeführt werden.
- Tragen Sie eng anliegende, strapazierfähige Arbeitskleidung, die Schutz bietet, wie z. B. lange Hosen, Sicherheitsschuhe, strapazierfähige Arbeitshandschuhe, einen Schutzhelm, einen Gesichtsschutz oder eine Schutzbrille zum Schutz der Augen. Das Gerät ist extrem laut und erfordert die Verwendung eines Gehörschutzes, wie z. B. gute Ohrstöpsel oder andere Schallschutzvorrichtungen.
- Tragen Sie die Maschine immer am Griff; benutzen Sie niemals ein anderes Teil der Maschine.
- TANKEN SIE AN EINEM SICHEREN ORT. Öffnen Sie den Tankdeckel langsam, um einen eventuellen Druck im Tank abzulassen. Wischen Sie verschütteten Kraftstoff oder Öl immer auf, bevor Sie die Maschine starten. Um eine Brandgefahr zu vermeiden, entfernen Sie sich vor dem Starten mindestens 3 Meter vom Tankbereich.
- ALLE SCHRAUBEN UND BEFESTIGUNGEN FESTZIEHEN und das Gerät in gutem Betriebszustand halten. Nehmen Sie das Gerät niemals in Betrieb, wenn es nicht richtig eingestellt oder nicht vollständig und sicher montiert ist.
- Halten Sie die Griffe trocken, sauber und frei von Kraftstoffgemisch.
- Gerät fern von möglichen Zündquellen lagern, z. B. von gasbetriebenen Wassererhitzern, Wäschetrocknern oder Ölöfen, tragbaren Heizgeräten usw.
- STETS den Motor frei von Ablagerungen halten.
- Die Bedienung des Geräts sollte immer auf mündige und entsprechend unterwiesene Personen beschränkt sein.
- ALLE PERSONEN MIT ATMUNGSPROBLEMEN und Personen, die das Gebläse in sehr staubigen Umgebungen bedienen, sollten stets eine Staubpartikelmaske tragen. Papierstaubmasken sind in den meisten Farben- und Baumärkten erhältlich.
- Betreiben Sie das Gerät nur zu angemessenen Zeiten - nicht frühmorgens oder spätabends, wenn Menschen gestört werden könnten. Halten Sie sich an die in den örtlichen Verordnungen aufgeführten Zeiten.
- Vermeiden Sie den Einsatz der Maschine bei schlechtem Wetter, insbesondere bei Gewittergefahr.

and lightning.

ORIGINAL INSTRUCTIONS

- In case of accident, immediately stop using the machine. Turn the machine off and check the problem. Do not use the machine while the machine is damaged.
 - If the machine should start making any unusual noise or vibration, immediately shut off the power source and allow the machine to stop. Take the following steps before restarting and operating the machine:
 - a) Inspect for damage;
 - b) Replace or repair any damaged parts;
 - c) Check for and tighten any loose parts.
 - If the machine becomes clogged, shut-off the power source before cleaning debris.
 - Never operate the machine with defective guards or shields, or without safety devices in place.
 - Keep the power source clean of debris and other accumulations to prevent damage to the power source or possible fire.
 - Do not carry this machine while it is in operation. Always switch off the tool and always transport it by its handle and in order to avoid accidents and a fuel leak.
 - Stop the machine and make sure that all moving parts have come to a complete stop
 - a) Whenever you leave the machine;
 - b) Before clearing blockages or unclogging chute;
 - c) Before checking, cleaning or working on the machine.
 - Do not tilt the machine while the power source is running.
 - Operate the machine at the lowest possible engine speed to do the job. Like this, vibration and noise levels as well as the tool's wear can be kept to a minimum.
 - Use rakes and brooms to loosen debris before blowing.
 - In dusty conditions, slightly dampen surfaces.
 - Use the full blower nozzle extension so the air stream can work close to the ground.
 - Watch out for children, pets, open windows etc. and blow debris safety away.
- WARNING: DO NOT USE ANY OTHER FUEL than that recommended in your manual. Always follow instructions in the Fuel and Lubrication section of this manual. Never use gasoline unless it is properly mixed with 2-cycle engine lubricant. Permanent damage to engine will result, voiding manufacturer's warranty.**
- **DO NOT SMOKE** while refueling or operating equipment.
 - **DO NOT OPERATE UNIT WITHOUT A MUFFLER** and properly installed muffler shield.
 - **DO NOT TOUCH** or let your hands or body come in contact with a hot muffler or spark plug wire.
 - **DUE TO THE DANGER** of exhaust fumes, never operate blower in a confined or poorly ventilated area.
 - **NEVER POINT BLOWER** in the direction of people, animals, buildings, automobiles, or open windows, etc.
 - **DO NOT** operate unit without inlet cover installed to prevent contact with impeller.
 - **DO NOT** set a hot engine down where flammable material is present.
 - **DO NOT OPERATE UNIT FOR PROLONGED PERIODS.** Rest periodically to prevent damage from vibration, damage to ears or damage to the appliance.
 - Operate the machine in a recommended position and only on a firm, level surface.
 - Do not operate the machine on a paved or gravel surface where ejected material could cause injury.

WARNING:

DO NOT ADD, REMOVE OR ALTER ANY COMPONENTS OF THIS PRODUCT.

Doing so could cause personal injury and/or damage the unit, voiding the manufacturer's warranty.

DO NOT OPERATE UNIT WHILE TIRED, SICK OR UNDER THE INFLUENCE OF ALCOHOL OR DRUGS.

DO NOT operate your unit near or around flammable liquids or gases whether in or out of doors. An explosion and/or fire may result.

DO NOT WEAR loose clothing, scarfs, neck chains, unconfined long hair, and the like.

04

ORIGINAL INSTRUCTIONS

Doing so could cause injury associated with objects being drawn into the rotating parts.

DO NOT refuel a running engine or an engine that is hot.

Before using, always visually inspect to see that fasteners are secure, the housing is undamaged and that guards and screens are in place. Replace worn or damaged components in sets to preserve balance. Replace damaged or unreadable labels.

Before starting the machine, make certain that the tube is empty.

Keep your face and body away from the nozzle.

Do not allow hands or any other part of the body or clothing inside the discharge chute or near any moving part.

Keep proper balance and footing at all times. Do not overreach. Never stand at a higher level than the base of the machine when blowing material with it.

Always stand clear of the discharge zone when operating this machine.

To reduce the risk of hearing loss associated with sound level, hearing protection is required.

To reduce the risk of injury associated with contacting rotating parts, stop the engine before installing or removing attachments. Do not operate without guard in place. Always disconnect the spark plug before performing maintenance or accessing any movable parts.

Do not point the blower nozzle in the direction of people or pets.

Never run the unit without the proper equipment attached. When used as a blower, always install the blower tubes.

operate the machine only at reasonable hours – not early in the morning or late at night when people might be disturbed;

Do not to operate the machine near open windows.

use rakes and brooms to loosen debris before blowing

slightly dampen surfaces in dusty conditions or use mister attachment;

Limit the time of use of the tool. Take a time of rest between 2 operations. Do not work earlier or later in the night. Do be exposed to noise and vibration for a prolonged time. Noise can bring damage to the ears.

This machine is extremely noisy. Always wear a hearing protection when use the tool.

In the event of accident or breakdown, stop to use the machine. Switch off the tool and wait until it completely stops. Check the problem. In case of blockage, clear the blockage carefully. In case of breakdown, bring the tool to an after sales service for inspection and reparation.

Only use the tool when it is safely unblocked.

operate the machine only at reasonable hours – not early in the morning or late at night when people might be disturbed;

WARNING – there is danger from rotating parts; do not enter in contact with them.

Maintenance and storage

When the machine is stopped for servicing, inspection, or storage, or to change an accessory, shut off the power source and make sure that all moving parts have come to a complete stop.

Allow the machine to cool before making any inspections, adjustments, etc. Maintain the machine with care and keep it clean.

Store the machine in a dry place out of the reach of children.

Always allow the machine to cool before storing.

Replace worn or damaged parts for safety. Use only genuine replacement parts and accessories.

Never attempt to override the interlocked feature of the guard.

Residuals risks

Even if you use this product in compliance with all safety requirements, potential risks of injury and

damage remain. The following hazards may arise from the structure and design of this product. Always be vigilant when using this product, so you can recognize and manage the risks early. Rapid intervention can prevent serious injury and property damage. Turn off the tool if there are any malfunctions. Have it checked by a qualified professional and have repairs carried out, if necessary, before using it again.

05

ORIGINAL INSTRUCTIONS

There are harmful health consequences resulting from the emission of vibrations if the product is used for long periods of time or not properly managed and properly maintained.

There is risk of injury and property damage due to attachments or broken the sudden impact of hidden objects.

Risk of injury to persons and property caused by flying objects.

Prolonged use of this product exposes the operator to vibration and can produce so-called "white finger" disease. To reduce the risk, wear gloves and keep your hands warm.

If any of the symptoms of "white finger syndrome" occur, seek immediate medical attention. Symptoms of the "white finger" include numbness, loss of sensitivity, tingling, tingling, and pain, loss of strength, color changes or skin condition. These symptoms usually appear on the fingers, hands or wrists. Risk increases at low temperatures.

Inhalation of particles of material blown.

Unattended projections.

Contact with foreign objects.

Contact with the tool in operation.

Hearing loss in the absence of correct hearing protection.

Symbols



Read instruction handbook



Risk of projection, keep bystanders away



Wear ocular protection and hearing protection



Guarantee sound power level Risk of fire



Risk of fire



Hot surface



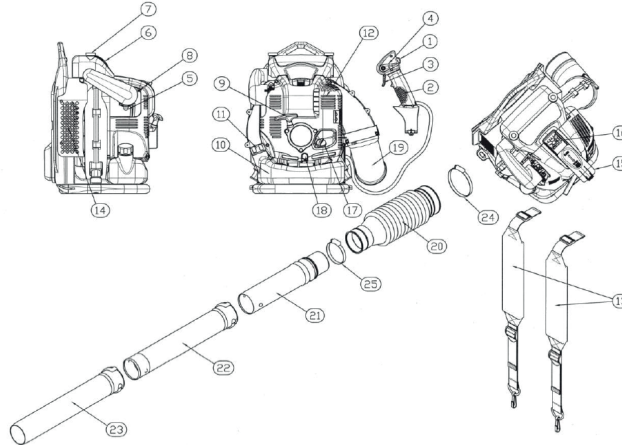
Risk of inhalation of exhausted gas

ORIGINAL INSTRUCTIONS

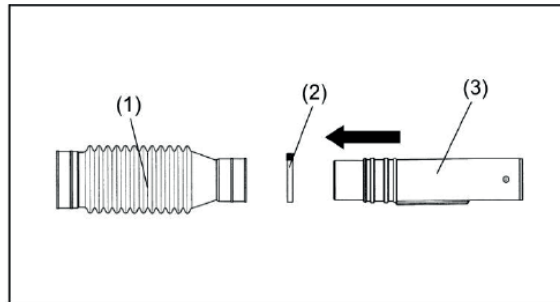
Intended use

- This blower is meant to be used for blowing leaves, dust or garden debris into a desired direction. It must not to be used for blowing water, chemical products, flammable material, metal or wood and other dangerous objects.
- This product is intended for private domestic use only. It must be used outdoors.
- This product is not intended to be used in a closed room and places where exhausted gas and flames can be present.
- The use of this product in case of rain or humid environments is prohibited.
- Any other use might lead to damage of the appliance, property or personal injury.

3. DESCRIPTION



1	Stop switch	9	Starter rope	17	Oil cap	25	Hose band
2	Control handle	10	Fuel tank	18	Oil drain bolt		
3	Throttle trigger	11	Fuel tank cap	19	Elbow		
4	Stop control lever	12	Muffler	20	Flexible pipe		
5	Primer pump	13	Shoulder strap	21	Swivel pipe		
6	Air cleaner cover	14	Air inlet screen	22	Long pipe 1		
7	Knob bolt(of air cleaner cover)	15	Spark plug cover	23	Long pipe 2		
8	Throttle lever	16	Spark plug	24	Hose band		



4. ASSEMBLY

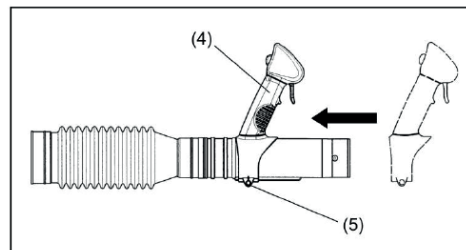
caution: before performing any work on the blower, always stop the engine and pull the spark plug cap off the spark plug.

caution: start the blower only after having assembled it completely.

caution: always wear protective gloves.

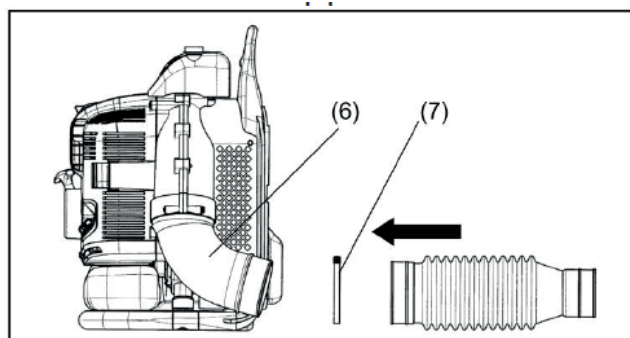
Assembling blower pipes

1. Insert the swivel pipe into the flexible pipe and tighten them with the hose band.



-(1). Flexible pipe (2). Hose band (3). Swivel pipe

2. Install the control handle / handle assembly (4) onto the swivel pipe and tighten them with the clamp screw (5).



-(4). Control handle / handle assembly (5). Clamp screw

3. Attach the flexible pipe to the elbow

-(6). Elbow (7). Hose band

4. Fixez le long tuyau 1 au tuyau pivotant. Tournez-le dans le sens horaire pour le verrouiller en place. Fixez ensuite le deuxième long tuyau. Tournez-le dans le sens horaire pour le verrouiller en place.

5. ADDING FUEL AND OIL

1) Fuel tank

WARNING:

When filling the tank

The tool must always be stopped and cooled. Never smoke during refueling. It must not have flames or sparks near the fuel. Do not attempt to refuel when the engine is hot.

If fuel has been spilled, immediately stop refueling and do not start the engine. Clean up the spill and fill the machine in another location. Do not refuel in a closed and unventilated area. Always use unleaded with this tool. Do not use fuel containing ethanol or methanol. Unleaded gasoline is a quality gasoline type. This will help to avoid damaging the fuel lines of the engine and other engine parts.

a. Filling the fuel tank

-Unscrew the fuel tank cap and remove it.

-Fill the tank slowly with the fuel. Do not exceed the maximum capacity (fill to 80% of its capacity preferably).

-Refit the cap on the fuel tank and tighten it.

-Wipe any spillage around the unit if necessary.

b. Storage of fuel

The fuel must be kept in a clean and safe container and always closed.

If you are not using the product for a long time, remove the fuel and add it in a container.

Do not leave the fuel for a long time in the product. The fuel may clog the carburetor and the engine will not operate properly.

c. Disposal of fuel

When the fuel is no longer used or worn, please dispose of it in an authorized location. Check local laws regarding disposal of fuels.

2) Oil tank

- Unscrew the oil tank.

- Fill the tank. Do not overfill.

- Refit the cap on the tank. Wipe any spillage if necessary.

10 ORIGINAL INSTRUCTIONS

6. OPERATION

Starting the engine

WARNING:

Never attempt engine start in a place where the fuel has been supplied. It may cause ignition or fire. When starting the engine, keep a distance of at least 3 meters from fuelling place.

WARNING:

Exhaust gas from the engine is toxic. Do not operate the engine in a poorly ventilated place, such as in a tunnel, building, etc. Operating the engine in the poorly ventilated place may cause poisoning by exhaust gas.

WARNING: In case of detection of any abnormality in sound, odor, vibration after starting, stop the engine immediately and carry out inspection. If the engine is operated without attending such abnormality, an accident may occur.

WARNING: Do not touch hot engine cover. Otherwise skin burn may result.

WARNING: Make sure that there is no fuel leakage before starting the engine.

WARNING: Make sure that the engine stops when the stop switch is set to “O” position.

When the engine is cold or after refueling (cold start)

1. Put the blower on a flat surface.
2. Set the stop control lever to “I” position.
 1. Stop control lever
 3. Continue to push the primer pump until fuel comes into the primer pump.
 - (4). Primer pump (5). Choke lever

NOTE: In general, fuel comes into the carburetor by 7 to 10 pushes.

NOTE: Even the primer pump is pushed excessively, an excess of gasoline returns to the fuel tank.

ORIGINAL INSTRUCTIONS

4. Lift the choke lever to the closed position.
5. Pull out slowly the starter handle till feeling compression. Then pull it strongly.

NOTICE: Never pull the rope to the full extension.

NOTICE: Return the starter knob gently into the housing. Otherwise released starter knob may hit your body or it may not rewind appropriately.

6. When the engine starts, down the choke lever to open position.

1. Throttle trigger
2. Stop control lever

Transporting the blower

CAUTION:

When transporting the blower, be sure to stop the engine.

NOTE: Open the choke lever fully before pulling the throttle.

NOTE: In cold temperature or when the engine is not warm enough, never open the choke lever suddenly. Otherwise, the engine may stop.

7. Warm-up for 2 to 3 minutes with engine speed idle or low.

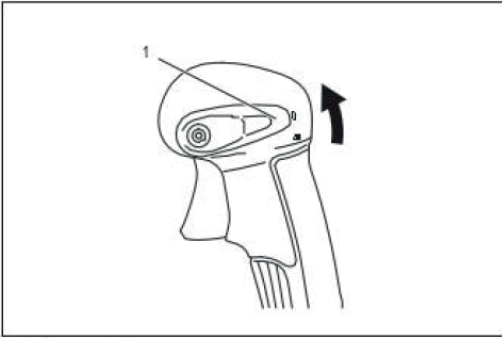
8. Warm-up is complete when quick engine acceleration from low rpm to full throttle is felt.

NOTE: If the operator keeps pulling the starter handle several times with the choke lever left in the “CLOSE” position, the engine may be difficult to start because of flooding of the fuel. In case of flooding of the fuel, remove the spark plug and pull the handle several times rapidly to discharge any excess fuel. Dry the spark plug electrode.

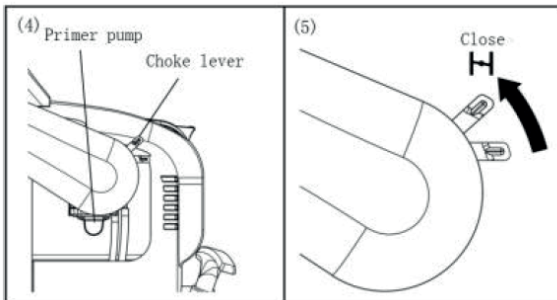
ORIGINAL INSTRUCTIONS

When the engine is warm (warm start).

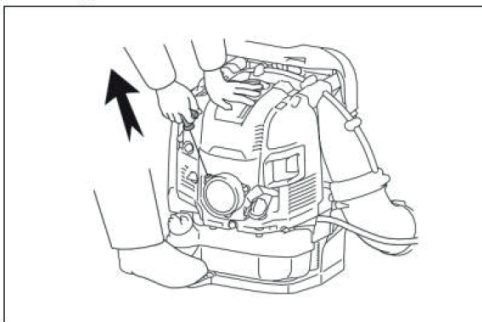
1. Put the blower on a flat surface.
2. Push the primer pump several times.



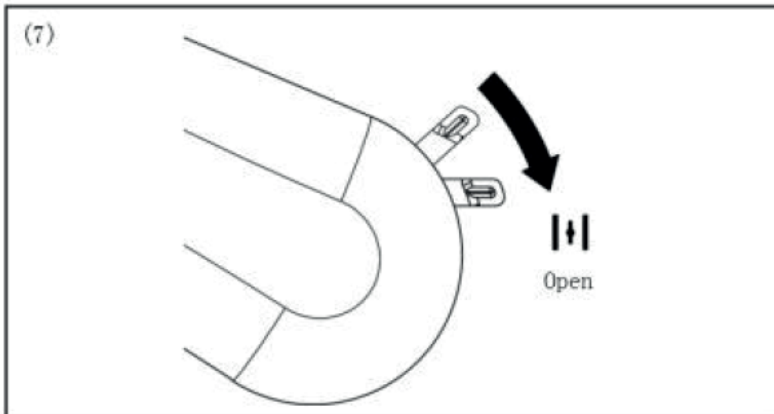
3. Make sure that the choke lever is open.
4. Stomp the pedal with your right foot, and hold the top of the unit cover with left hand to prevent the engine from moving.



5. Pull out slowly the starter handle till feeling compression. Then pull it strongly.



6. When the engine is difficult to start, open the throttle by about 1/3.
Stopping the engine



1. Throttle trigger
2. Stop control lever

Transporting the blower

CAUTION: When transporting the blower, be sure to stop the engine.

NOTE: Open the choke lever fully before pulling the throttle.

NOTE: In cold temperature or when the engine is not warm enough, never open the choke lever suddenly. Otherwise, the engine may stop.

7. Warm-up for 2 to 3 minutes with engine speed idle or low.

8. Warm-up is complete when quick engine acceleration from low rpm to full throttle is felt.

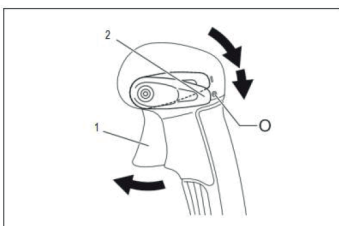
NOTE: If the operator keeps pulling the starter handle several times with the choke lever left in the “CLOSE” position, the engine may be difficult to start because of flooding of the fuel. In case of flooding of the fuel, remove the spark plug and pull the handle several times rapidly to discharge any excess fuel. Dry the spark plug electrode.

ORIGINAL INSTRUCTIONS

When the engine is warm (warm start)

1. Put the blower on a flat surface.
2. Push the primer pump several times.
3. Make sure that the choke lever is open.
4. Stomp the pedal with your right foot, and hold the top of the unit cover with left hand to prevent the engine from moving.
5. Pull out slowly the starter handle till feeling compression. Then pull it strongly.
6. When the engine is difficult to start, open the throttle by about 1/3.

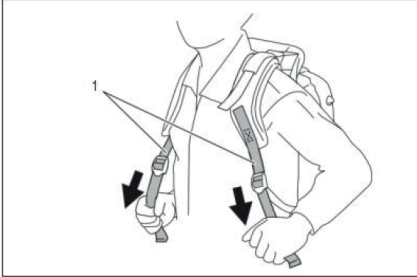
Stopping the engine



For tube throttle model: Release the throttle trigger and then set the stop control lever to “O” position.

1. Throttle trigger 2. Stop control lever

Adjusting shoulder strap

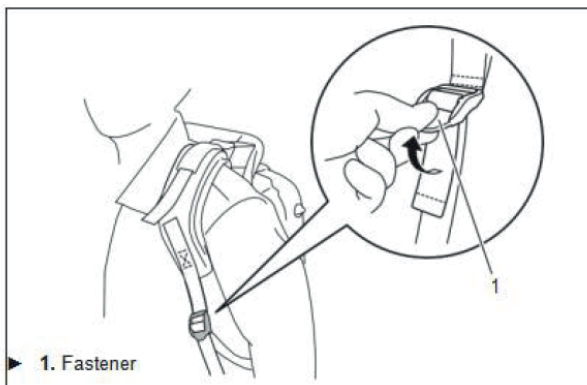


1. Adjust the shoulder strap to a length that is comfortable to work while carrying the blower. To fasten the strap, pull the end of the strap downwards.

1. Shoulder strap

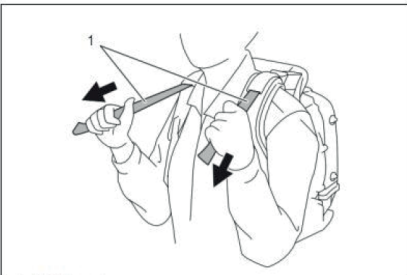
To loosen the strap, pull up the end of the fastener.

ORIGINAL INSTRUCTIONS



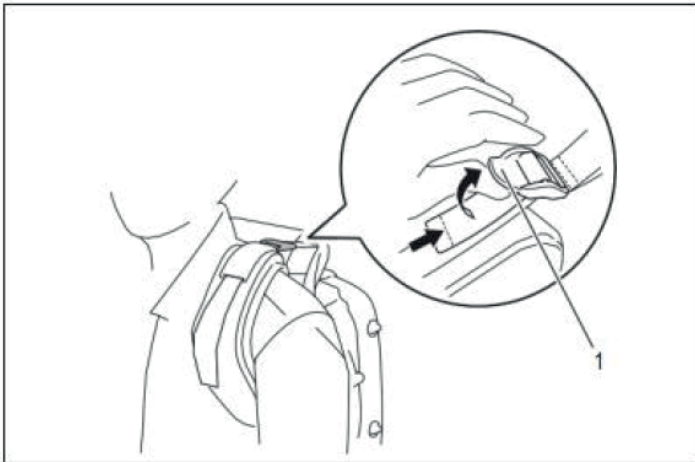
2. Pull the stabilizer strap until there are no space left between your back and the blower housing.

To fasten the strap, pull the end of the strap downwards.



1. Stabilizer strap

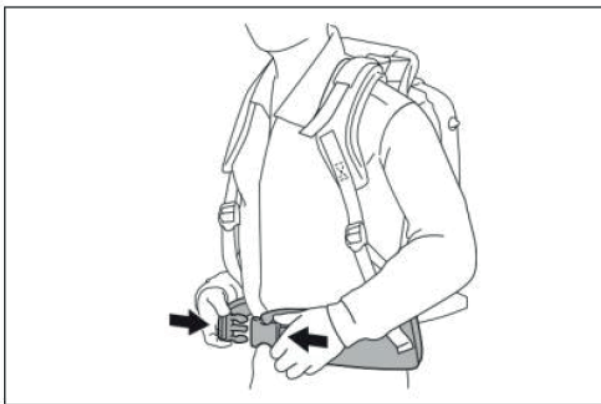
To loosen the strap, pull up the end of the fastener.



1. Fastener

ORIGINAL INSTRUCTIONS

Hip belt

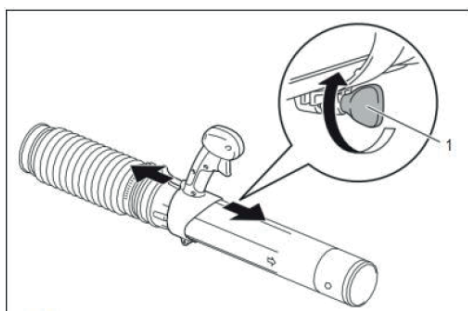


Optional accessory

The hip belt enables the operator to carry the tool more stably

Adjusting the control lever position

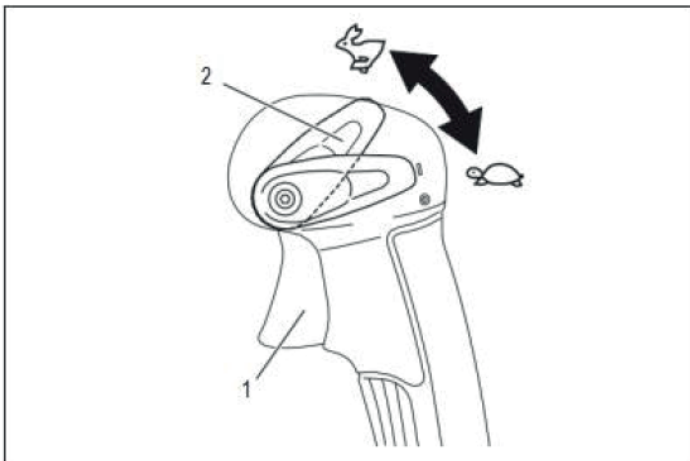
For tube throttle model: Move the control handle along the swivel pipe to the most comfortable position. Then tighten the control handle with the screw



Blower Operation



1. While operating the blower, adjust the throttle trigger so that the wind force is appropriate for the work location and conditions.
2. Adjusting engine speed.



ORIGINAL INSTRUCTIONS

For tube throttle model: Engine speed increases by pulling the throttle trigger. To decrease the engine speed, loosen the throttle trigger.

The cruise control function allows the operator to maintain a constant engine speed without pulling the trigger lever. To increase the engine speed, turn the stop control lever to high speed. To decrease the engine speed, turn the stop control lever to low speed.

1. Throttle trigger
2. Stop control lever

Transporting the blower

CAUTION: When transporting the blower, be sure to stop the engine.

NOTICE: Do not sit or stand on the blower nor put a heavy object on it. It may damage the machine.

NOTICE: Maintain the blower in an upright position whenever transporting or storing.

Transporting or storing in a position that is not upright may cause oil to spill inside the blower engine. This may result in oil leaks and white smoke from burning oil, and the air cleaner may become dirty with oil.

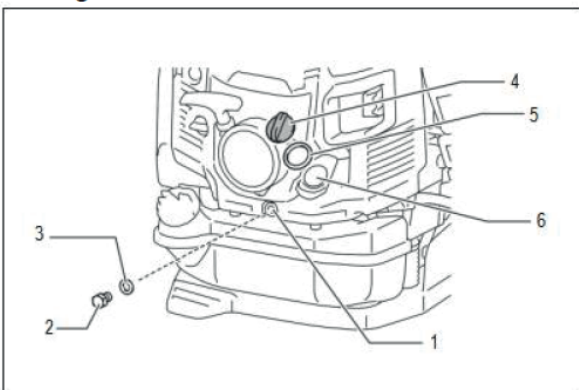
NOTICE: Do not drag the blower when transporting. Otherwise the blower housing may be damaged.

7. MAINTENANCE

CAUTION: Before inspection and maintenance, stop the engine and allow it to cool down. Remove the spark plug and plug cap. Otherwise the operator may suffer burn or serious injury due to an accidental start-up.

CAUTION: After inspection and maintenance, make sure that all parts are assembled.

Replacing engine oil

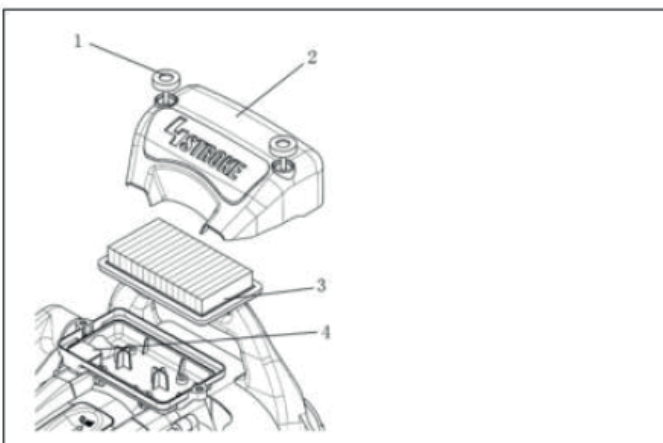


CAUTION: The engine main unit and engine oil still remain hot just after the engine is stopped. When replacing engine oil, make sure that the engine main unit and engine oil are sufficiently cooled down. Otherwise, there may remain a risk of scald. Allow sufficient time after stopping engine for the engine oil to return to the oil tank to ensure accurate reading of the oil level indicator.

CAUTION: If the oil filled above the limit, it may become dirty or may catch fire with white smoke.

NOTICE: Never discard replaced engine oil in garbage, ground or sewage. Disposal of oil is regulated by law. In disposal, always follow the relevant laws and regulations. For any points remaining unknown, contact Authorized Service Agent.

NOTICE: Oil will deteriorate even when it is kept unused. Perform inspection and replacement at regular intervals (replace with new oil every 6 months).



ORIGINAL INSTRUCTIONS

Deteriorated engine oil shortens the life of the sliding and rotating parts to a great extent. Be sure to check the period and quantity of replacement.

Interval of replacement

After first 20 operating hours, followed by every 50 operating hours

Recommended oil

- API grade SF class or higher, SAE 10W-30 oil (automobile 4-stroke engine oil)

Oil replacement procedure

Change the oil as follows:

1. Drainage hole 2. Oil drain bolt 3. Gasket (Iron washer) 4. Oil cap 5. Oil cap gasket 6. Oil port

1. Put the blower down on a level surface.

2. Put a waste oil container under the drainage hole to catch the oil as it drains out. The container should have a capacity of at least 220 ml (7.4 fl oz) to catch all of the oil.

3. Loosen the oil drain bolt to let the oil drain out. Be careful not to allow oil to get on the fuel tank or other parts.

NOTICE: Be careful not to lose the gasket. Put the oil drain bolt in a location where it does not get dirt.

4. Remove the oil cap. (Removing the oil cap allows the oil to drain easily.)

NOTICE: Be sure to set the oil cap down in a location where it does not get dirt.

5. As the level of the oil being drained decreases, tilt the blower over on to the side with the drain so that the oil will completely drain out.

6. After the oil has completely drained out, tighten the oil drain bolt securely. If the bolt is not tightly fastened, it may result in oil leakage.

NOTICE: Do not forget to put the gasket back on when reattaching the drain plug

7. Pour approximately 220 ml (7.4 fl oz) oil into the oil refill port up to the upper limit of the oil gauge.

8. After filling with oil, tighten the oil cap securely to prevent oil leaks.

NOTICE: Do not forget to put the oil cap gasket back on when reattaching the oil cap.

Cleaning of air cleaner**WARNING: INFLAMMABLES STRICTLY PROHIBITED**

Interval of Cleaning and Inspection Daily (every 10 operating hours)

Cleaning procedure

17

ORIGINAL INSTRUCTIONS

1. Knob bolts 2. Air cleaner cover 3. Filter 4. Breather

1. Loosen the knob bolts.

2. Remove the air cleaner cover.

3. Remove the filter, clean off any dirt from the filter with a cloth or air blow. Replace the filter with a new one if it is damaged or very dirty.

NOTE: The filter is a dry type and should not get wet. Never wash with water.

3. Wipe off any oil around the breather with a rag or cloth.

4. Install the element in the air cleaner case.

5. Attach the air cleaner cover and tighten the knob bolts.

NOTICE: Clean the filter several times a day, if excessive dust adheres to it due to dusty environment.

NOTICE: If operation continues with the filter remaining not cleared of oil, oil in the air cleaner may fall outside, resulting in oil contamination.

Checking the spark plug

CAUTION: Do not touch the spark plug while the engine is running. Otherwise electrical shock may result.

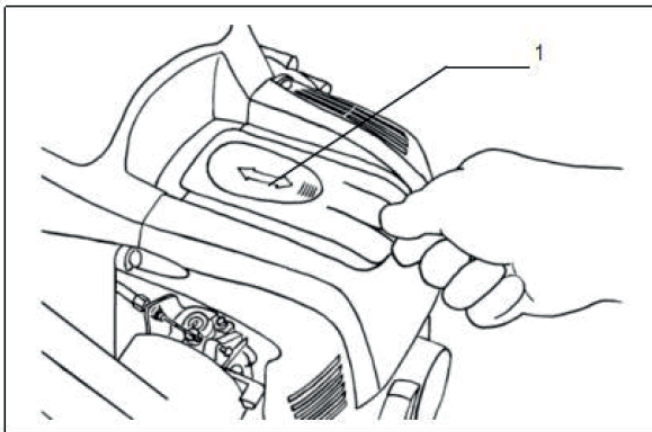
CAUTION: Set the stop control lever/stop switch to OFF "O" position.

CAUTION: Check the spark plug cord regularly. If it is damaged or torn, replace it. Otherwise electrical shock may result.

NOTICE: When removing the spark plug, clean the spark plug and cylinder head first, so that no dirt, sand, etc will enter the cylinder.

NOTICE: Remove the spark plug after the engine has cooled down in order to avoid damaging the threaded hole in the cylinder.

NOTICE: Install the spark plug properly into the threaded hole. If installed at an angle, the threaded hole in the cylinder will get damaged.

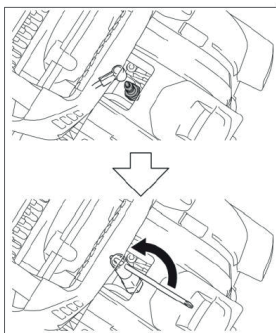


1. To open the plug cover, pull it.

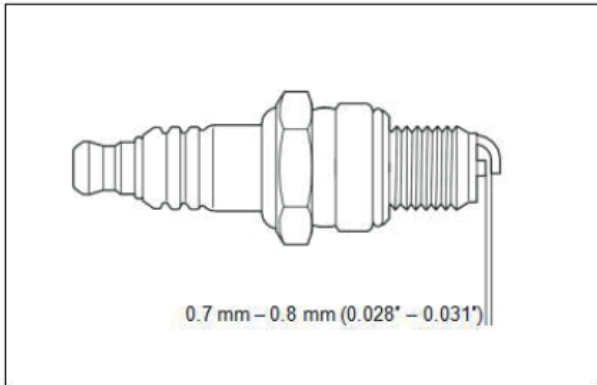
ORIGINAL INSTRUCTIONS

1. Plug cover

2. Use the box wrench provided as a standard accessory to remove and install the spark plug.

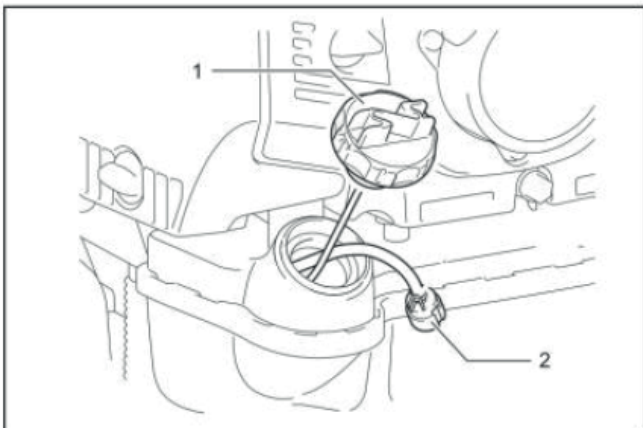


4. The appropriate clearance between two electrodes of spark plug is 0.7 to 0.8 mm (0.028 to 0.031). Adjust to the correct clearance when it is too wide or too narrow. Clean thoroughly or replace the spark plug if it has accumulated carbon or contaminated.



ORIGINAL INSTRUCTIONS

Cleaning the fuel filter



CAUTION: Make sure there is no damage on the fuel tank. If there is any damage on the fuel tank, ask authorized service center immediately for repair.

NOTICE: Clean the fuel filter regularly. Clogged fuel filter may cause difficulty of start-up or failure of engine speed increase.

Check the fuel filter regularly as follows:

1. Fuel tank cap 2. Fuel filter

1. Remove the fuel tank cap, drain the fuel to empty the tank. Check the tank inside for any foreign materials. If any, wipe clean such materials.

2. Pull out the fuel filter with wire through the fuel filling port.

3. If the fuel filter surface is contaminated, clean it with gasoline.

NOTICE: Follow the method specified by each local authority for disposing the gasoline used for cleaning the fuel filter.

NOTICE: Replace the fuel filter if it is excessively contaminated.

After checking, cleaning or replacing, insert the fuel filter into the fuel pipe and fix it with the hose clamp. Reset the fuel filter in the fuel tank and tighten firmly the fuel tank cap.

Inspecting bolts, nuts and screws and other parts

Retighten loose bolts, nuts, etc. Check for fuel and oil leakage.

Replace damaged parts with new ones for safety operation.

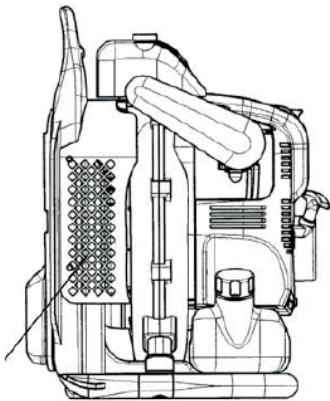
Cleaning engine, cooling air inlet

Cleaning engine, cooling air inlet

Keep engine clean by wiping down with a cloth rag.

Keep the cylinder fins free of dust or dirt. Dust or dirt adhering to the fins may cause engine overheat and piston seizure.

Blowing air is taken in from the air inlet vent. When airflow drops down during operation, stop engine and inspect the air inlet vent for any blockages. Clean it if necessary. Such a blockage may cause overheat and damage the engine.



Others maintenance

Any maintenance of adjustment work that is not included and described in this manual is only to be performed by Authorized Service Agent.

Storage

WARNING: When draining the fuel, stop the engine and wait for the engine to cool down.

Failure to do so may cause burns or fire.

CAUTION: When you store the machine for a long time, drain all fuel from the fuel tank and carburetor, and keep it at a dry and clean place.

Drain fuel from the fuel tank and carburetor before storing the machine as follows:

1. Remove the fuel tank cap, and drain fuel completely. If there is any foreign materials remaining in the fuel tank, remove it completely.
2. Pull out the fuel filter from the refill port using a wire.
3. Push the primer pump until fuel is drained from there, and drain fuel coming into the fuel tank.
4. Reset the filter to the fuel tank, and securely tighten the fuel tank cap.
5. Then, continue to operate the engine until it stops.
6. Remove the spark plug, and drip several drops of engine oil through the spark plug hole.
7. Gently pull the starter handle so that engine oil will spread over the engine, and attach the

8. TECHNICAL DATA

Engine type: 4 Stroke

Power: 2.2 kW

Max engine speed: 7000r/min

Fuel tank capacity: 2000 ml

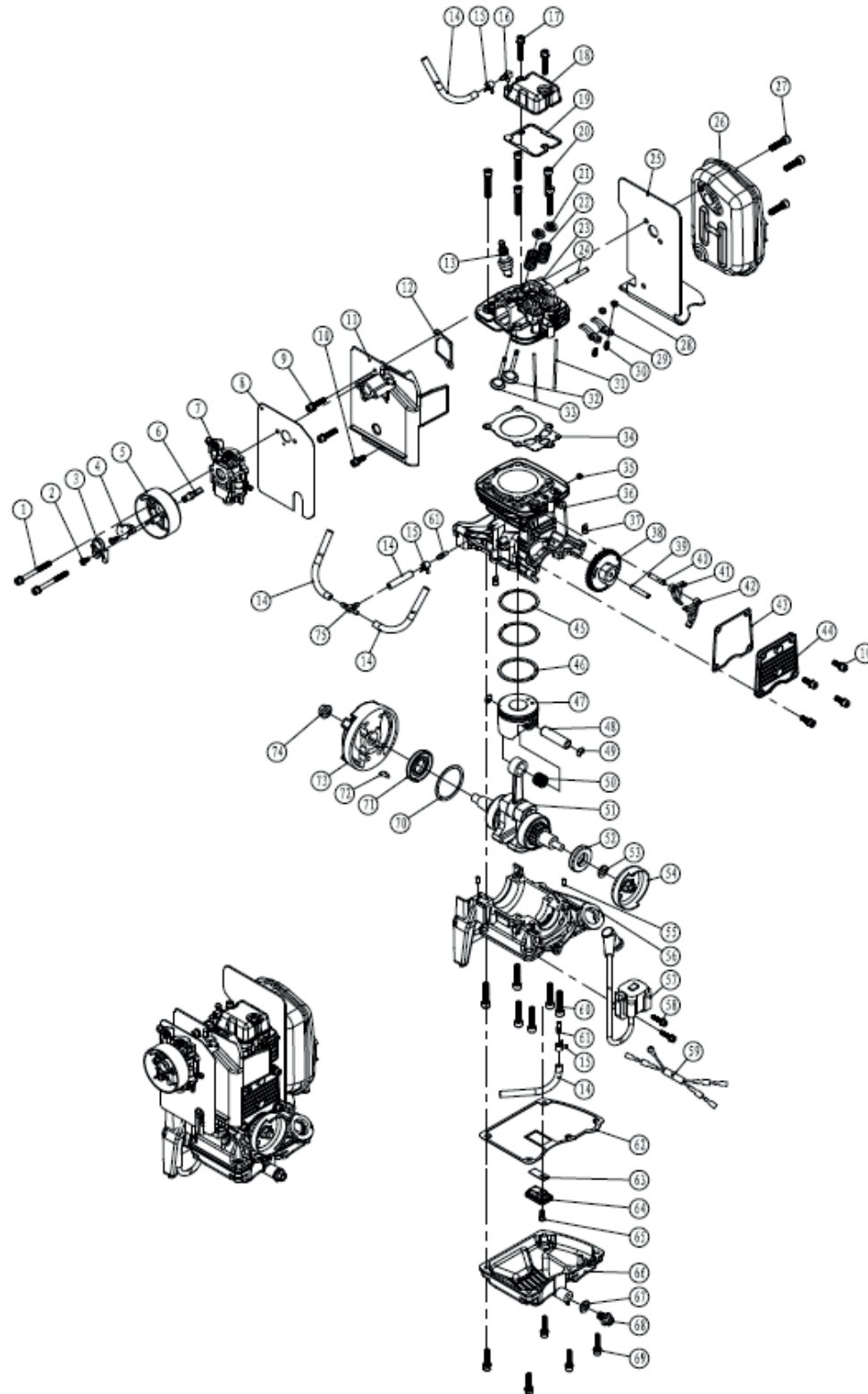
Oil tank capacity: 300 ml

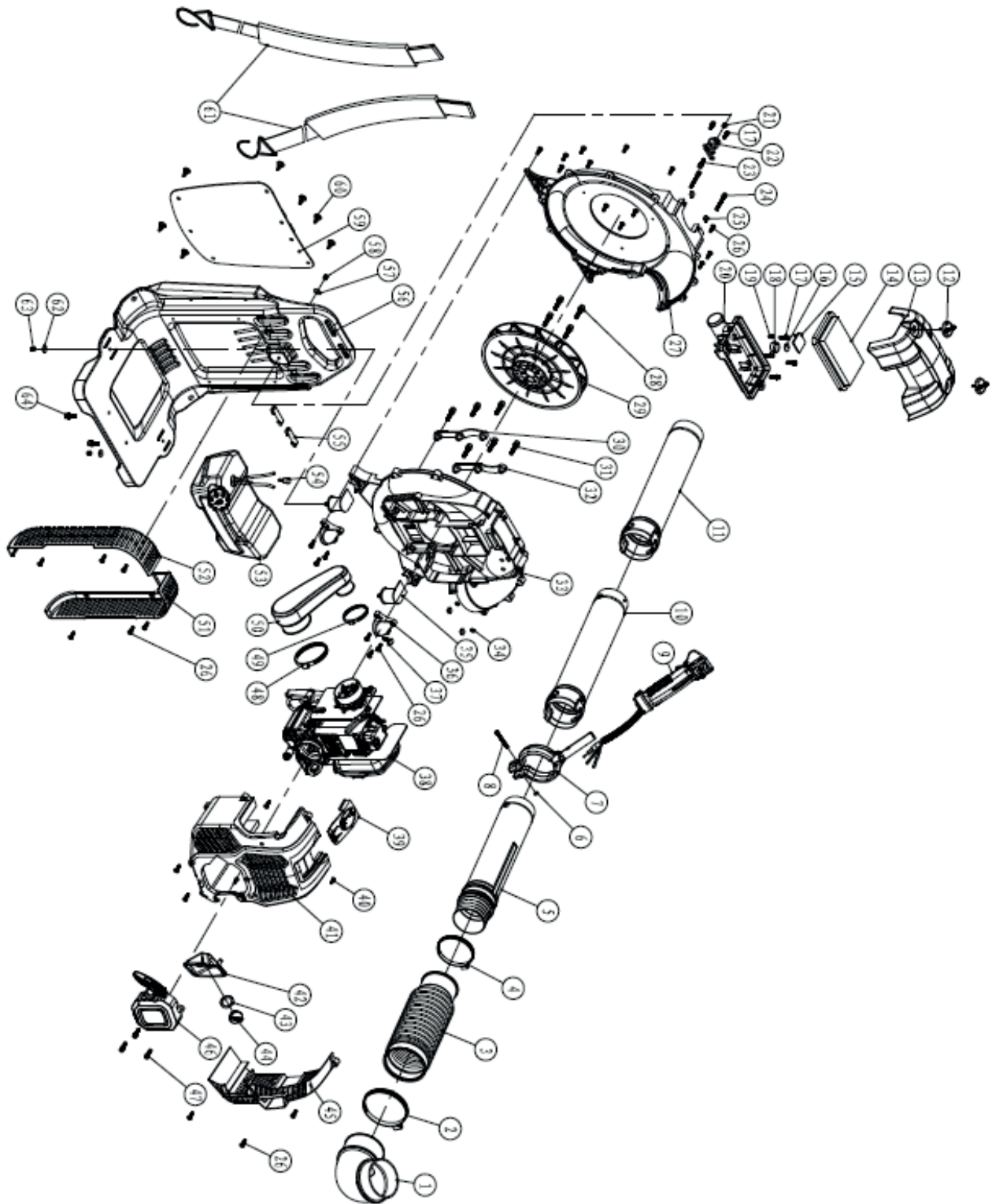
Air speed: 82 m/s

Air volume: 950m³/h



10. EXPLODED VIEW





DABL7662 Engine spare parts list

Item NO.	Description	unit	Item NO.	Description	unit
1	Screw M 5×55	2	39	Gear pin	1
2	Screw 4*8	2	40	Swing arm pin	1
3	Air inlet plate	1	41	Right Swing arm	1
4	Choke cover plate	1	42	Left Swing arm	1
5	Air cleaner holder	1	43	Paper pad (of cylinder side cover)	1
6	Choke lever	1	44	cylinder side cover	1
7	Carburetor	1	45	Piston ring	2
8	Carburetor paper pad	1	46	Oil ring	1
9	Bolt M 5×25 (hex)	2	47	Piston	1
10	Bolt M 5×6 (hex)	5	48	Piston pin	1
11	Inlet pipe	1	49	Piston pin spring	2
12	paper pad (of Inlet pipe)	1	50	Needle bearing	1
13	Spark plug	1	51	Crankshaft	1
14	Oil pipe	5	52	Oil seal 17*35*8	1
15	Clip of oil pipe	3	53	Flat washer 8	1
16	Suction mouth	1	54	driving plate	1
17	Bolt M 5×30 (hex)	2	55	Round pin 4*8	2
18	Head cover	1	56	Aluminum case	1
19	Paper pad (of Head cover)	1	57	Ignition	1
20	Bolt M 6×30 (hex)	5	58	Bolt M 4×20 (HEX)	2
21	valve spring cover	2	59	Off line	1
22	valve spring	2	60	Bolt M 6×30 (HEX)	6
23	Cylinder cover	1	61	Suction mouth	2
24	Valve arm pin	1	62	Paper pad (of oil tank)	1
25	Paper pad of muffler	1	63	Valve plate	1
26	Muffler	1	64	Valve plate cover	1
27	Screw M 6×6 (hex)	3	65	screw M 4×10 (hex)	1
28	Nut M 5	2	66	Engine tank base	1
29	Valve arm	2	67	Flat washer 8	1
30	Screw M 5×10 (hex)	2	68	Screw M 8×2	1
31	Push rod (of cam)	2	69	Bolt M 5×35 (HEX)	5
32	exhaust valve	1	70	Washer 40*49*1	1
33	exhaust valve	1	71	Oil seal 20*47*8	1
34	Paper pad (of cylinder cover)	1	72	half round key 4*13	1
35	Screw M 6×5 (hex)	1	73	Flywheel	1
36	Cylinder	1	74	Screw M 10	1
37	Inlet valve	2	75	T Junction	1
38	Gear	1			

Item NO.	Description	unit	Item NO.	Description	unit
1	Elbow	1	33	Back wind cover	1
2	clamp 80-100	1	34	Nutm 5	2
3	Flexible pipe	1	35	Base Damping	2
4	clamp 70-90	1	36	Press plate of Base Damping	2
5	main pipe	1	37	Wire clip	1
6	butterfly nutM 6	1	38	Engine	1
7	Handle holder	1	39	Spark plug cover	1
8	Screw M 6*45	1	40	Screw 4*10	2
9	Switch handle	1	41	Housing	1
10	extension pipe	1	42	Oilport bracket	1
11	round pipe	1	43	Oil cap gasket	1
12	Plastic nut	2	44	Oil cap	1
13	Air cleaner cover	1	45	muffler cover	1
14	Air cleaner	1	46	Starter	1
15	Air cleaner press plate	1	47	Screw M 5*30	3
16	Inlet valve	1	48	clamp 52-76	1
17	Screw M 5*20	6	49	clamp 27-51	1
18	Inlet valve cap	1	50	Soft tube (of air cleaner)	1
19	Small ventilation mouth	1	51	Right protect net	1
20	Air cleaner base	1	52	Left protect net	1
21	Square nutM 5	1	53	Fuel tank	1
22	Knapsack Damping	1	54	Balancer	1
23	Screw M 5*22	1	55	Straps buckle	2
24	Screw M 5*60	2	56	Knapsack	1
25	Square nutM 5	4	57	Flat washer 5*16*1.5	1
26	Screw 5*16	31	58	Nutm 5	1
27	Front wind cover	1	59	Knapsack cushion	1
28	Screw M 6*35	4	60	Plastic clip	1
29	Wind wheel	1	61	Straps	1
30	Right depression bar	1	62	Flat washer 6*16*1.5	2
31	Screw M 6*30	6	63	Nutm 6	2
32	Left depression bar	1	64	Screw M 6*16	2

EC DECLARATION OF CONFORMITY

EC Declaration of Conformity

Model Name: Gasoline BLOWER

Model Code: DABL7662

Brand: Daewoo

We GBR Corp. LTD, Room 1002, 10/F., David House, 8-20 Nanking Street, Jordan, Kowloon, Hong Kong, China, declare under our sole responsibility that this product is in conformity and accordance with the following standards and regulations.

The undersigned is responsible for the compilation of technical documentation.

Satisfies the requirement of the Council Directives:

Machinery Directive 2006/42/EC

Electromagnetic Compatibility Directive EMC 2014/30/EU

Noise Directive 2000/14/EC (Measured sound power level: 99.3dB (A),

Guaranteed sound power level: 116dB (A)

and conforms to the norms:

EN 15503:2009/A2:2015

EN ISO 14982: 2009

Signature and Stamp on undersigned responsible.

Date: 5-9-2022

A handwritten signature in blue ink is written over a circular blue stamp. The stamp contains the text "GBR" at the top and "10/F. DAVID HOUSE" at the bottom.

WARRANTY CARD

Product model	Date of sale
Serial number	Company
Username	Client's signature

The product is in good conditions and fully complete. Read and agree the terms of the warranty.

GUARANTEE

The warranty period starts from the date of sale of the products and covers 2 years for all power products.

During the warranty period, free failures caused due to the use of poor-quality materials in the production and manufacturer workmanship admitted fault are removed. The guarantee comes into force only when warranty card and cutting coupons are properly filled. The product is accepted for repair in its pure form and full completeness.

WARRANTY DOES NOT COVER

- Mechanical damage (cracks, chips, etc.) and damage caused by exposure to aggressive media, foreign objects inside the unit and air vents, as well as for damage occurred as a result of improper storage (corrosion of metal parts);
- Failures caused by overloading or product misuse, use of the product for other purposes. A sure sign of overload products is melting or discoloration of parts due to the high temperature, simultaneous failure of two or more nodes, teaser on the surfaces of the cylinder and the piston or destruction of piston rings. Also, the warranty does not cover failure of the automatic voltage regulator due to incorrect operation;
- Failure caused by clogging of the fuel and cooling systems;
- Wearing parts (carbon brushes, belts, rubber seals, oil seals, shock absorbers, springs, clutches, spark plugs, mufflers, nozzles, pulleys, guide rollers, cables, recoil starter, chucks, collets, removable batteries, filters and safety elements, grease, removable devices, equipment, knives, drills, etc.);
- Electrical cables with mechanical and thermal damage;
- Product opened or repaired by a non-authorized service center.
- Prevention, care products (cleaning, washing, lubrication, etc.), installation and configuration of the product;
- Natural wear products (production share);
- Failures caused by using the product for the needs related to business activities;
- If the warranty card is empty or missing seal (stamp) of the Seller;
- The absence of the holder's signature on the warranty card.

DAEWOO
DAEWOO
DAEWOO

Product _____ Model _____ Company _____ Date of sale _____	Product _____ Model _____ Company _____ Date of sale _____	Product _____ Model _____ Company _____ Date of sale _____
---	---	---



DAEWOO
POWER PRODUCTS

www.daewoopowerproducts.com

Manufactured under license of **Daewoo International Corporation**, Korea